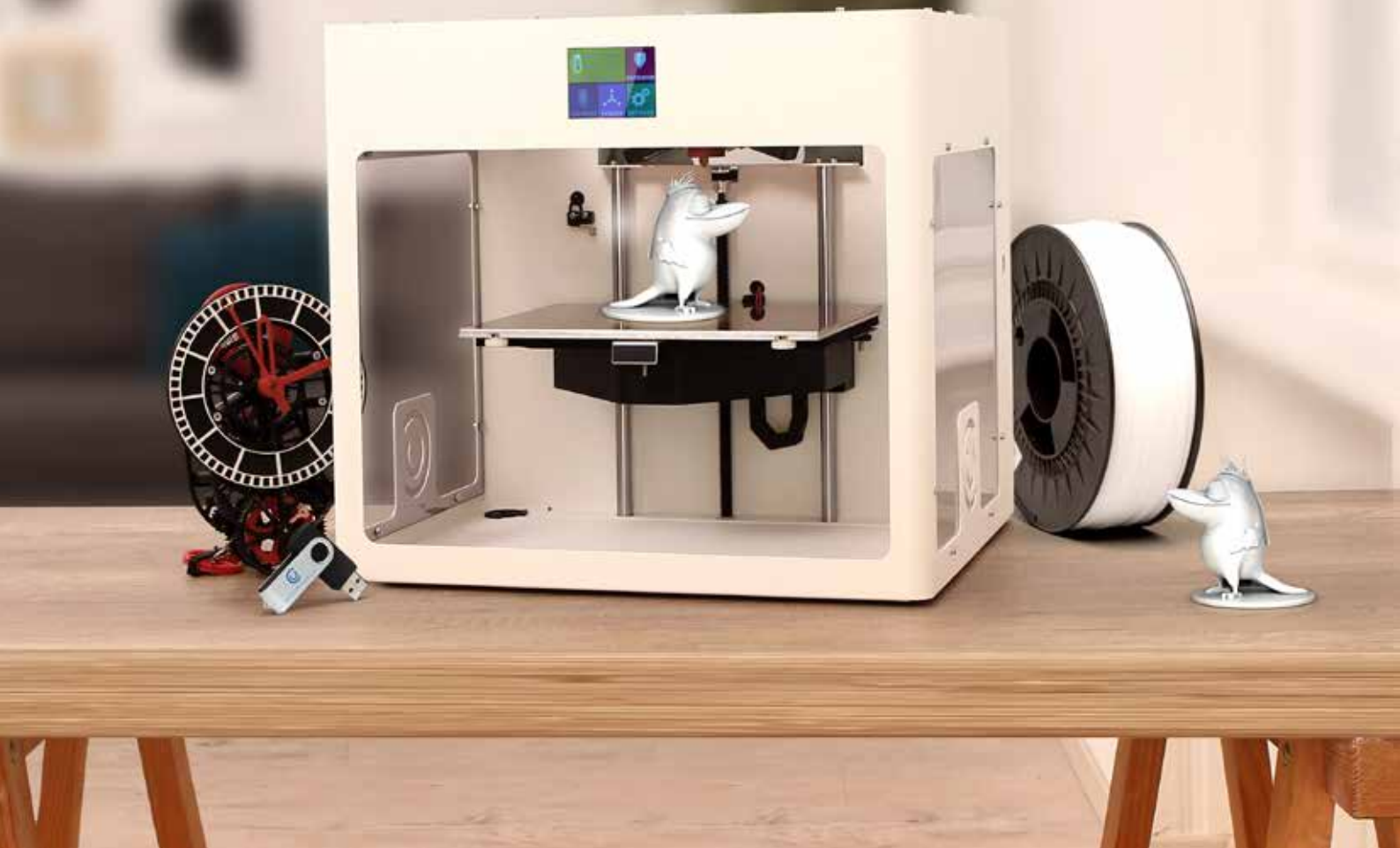


USER MANUAL



CraftBot
THE ULTIMATE 3D PRINTER

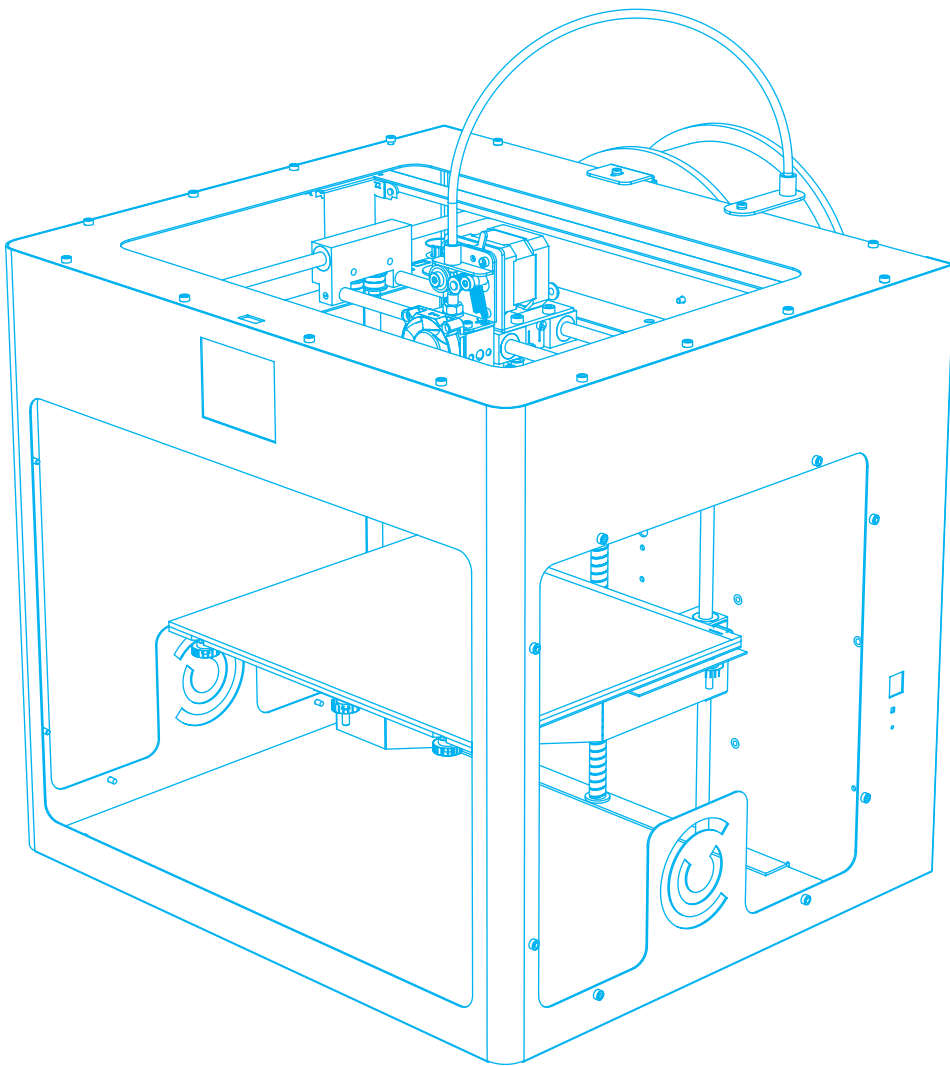
TABLE OF CONTENTS

INTRODUCTION	3
IMPORTANT	4
WARNINGS	4
CAUTION!	5
CONTENTS OF THE BOX	5
INTRODUCING THE CRAFTBOT 3D PRINTER	6
UNPACKING THE CRAFTBOT PRINTER	7
ASSEMBLING THE CRAFTBOT PRINTER	7
1. Install the filament guide tube holder	7
2. Install the filament guide tube	8
3. Install the filament spool holder	8
4. Mounting the filament spool	8
5. Attaching the power cord	8
USING THE CRAFTBOT PRINTER	9
1. Switching on the appliance	9
2. Setting the language	9
3. Selecting the heat measurement	9
4. Leveling the build plate	9
5. Loading the filament	10
6. Removing the filament from the extruder	11
7. Printing objects from the usb flash drive	11
8. Navigating the build plate and the extrude	12
9. Adjusting the lighting	13
10. Activating the fans	13
11. Using craftware to convert 3d design into printing commands	13
12. Cleaning and maintenance	15
13. Trouble shooting	16
14. Firmware update	16
15. Applying a new layer of protective kapton sheet to your build plate	17
16. Guarantee	18
17. Limitation of liability	18
APPENDIX	19
Technical Specification	19

INTRODUCTION

Congratulations on your purchase of CraftBot 3D printer and welcome to the world of 3D crafting! At CraftUnique we believe that 3D printing opens a new window to enhance creativity. It offers outstanding crafting experience even without prior programming or 3D printing experience.

How does the printer work? The CraftBot 3D printer makes solid, three-dimensional objects out of melted plastic filament. Design Your objects with the help of a 3D design program. Then use the CraftWare program (downloadable from www.craftunique.com/craftware) to transform Your 3D design files into printing instructions for the CraftBot 3D printer. Transfer this to Your CraftBot 3D printer via USB drive or USB cable. The CraftBot 3D printer will melt plastic filaments and squeeze it out onto the building plate in thin lines to print your object layer by layer.



IMPORTANT

Read this user manual carefully before you use the appliance and save it for future reference.

All information in this User Manual is subject to change at any time without notice and is provided for convenience purposes only. CraftUnique reserves the right to modify or revise this User Manual in its sole discretion and at any time. By using the manual you agree to be bound by any modifications and/or revisions. For up-to-date information contact the CraftUnique Service Support (support@craftunique.com).

WARNINGS

- Check if the voltage indicated on the bottom of the appliance corresponds to the local mains voltage before you connect the appliance.
- Do not immerse cord, plug or main body in water or any other liquid. This may cause electrical shock.
- Do not use the appliance if the plug, the mains cord or the appliance itself is damaged or not operating properly.
- If the mains cord is damaged, you must have it replaced in order to avoid a hazard.
- Only connect the appliance to grounded wall socket.
- Keep the mains cord away from hot surfaces.
- Do not let the mains cord hang over the edge of the table or worktop on which the appliance stands.
- Keep the appliance and its cord out of the reach of children.
- This appliance can be used by children aged from 8 years and above and by persons with reduced physical, sensory or mental capabilities or lack of experience and knowledge only under supervision and adequate instruction concerning use of the appliance in a safe way and if they understand the hazards involved. Cleaning and user maintenance shall not be made by children.
- Children can receive great educational benefits from designing 3D objects, but the printing process should not be done by small children.
- Do not touch moving parts or heated elements, it can cause injuries.
- Never reach inside the machine when turned on. Different parts of the machine (mainly the extruder and heated build plate) operate at very high temperatures and can cause severe burns.
- Never leave the CraftBot 3D printer unattended while it is plugged in, and in operation.
- Make sure that the power supply is off and that the power cord is disconnected before servicing. Allow at least 5 minutes for the device to cool down after unplugging it before reaching inside to service.
- Always turn off the printer and disconnect from the computer when it is not being used.

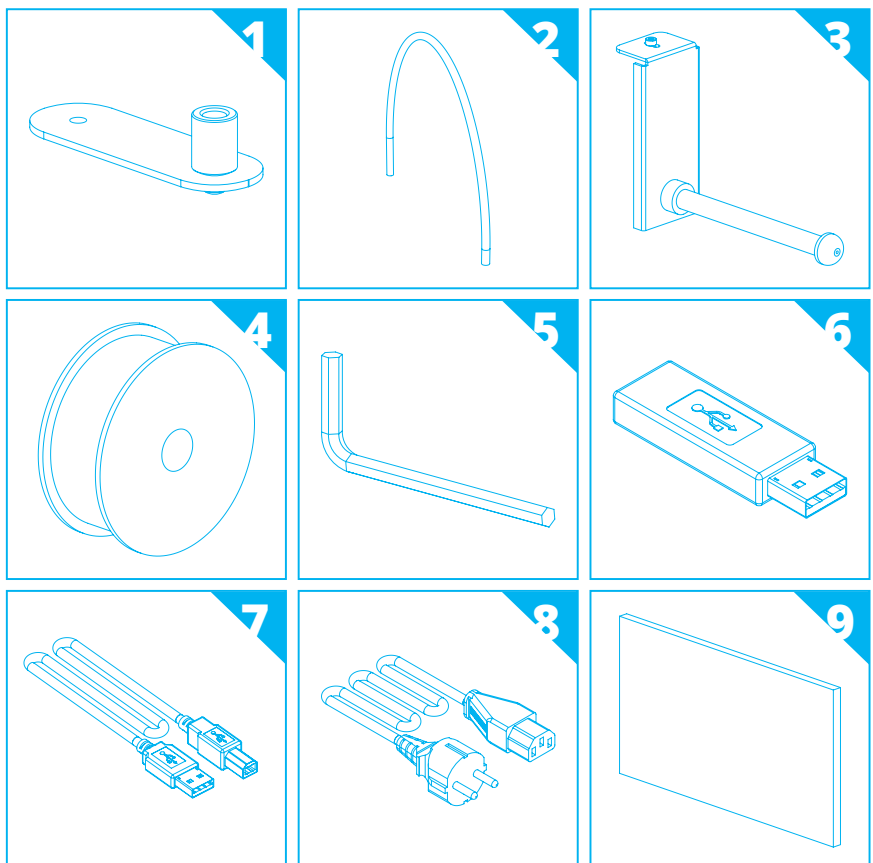
CAUTION!

- Make sure to level the build plate properly before use.
- Make sure not to force anything, whether it be during unpacking, setup, operation or service.
- Service and oil the suggested parts as often as recommended. Use only substances recommended by CraftUnique.
- The CraftBot 3D printer melts plastic during printing. Plastic odors are emitted during this operation. Make sure to set up the CraftBot 3D printer in a well-ventilated area.

CONTENTS OF THE BOX

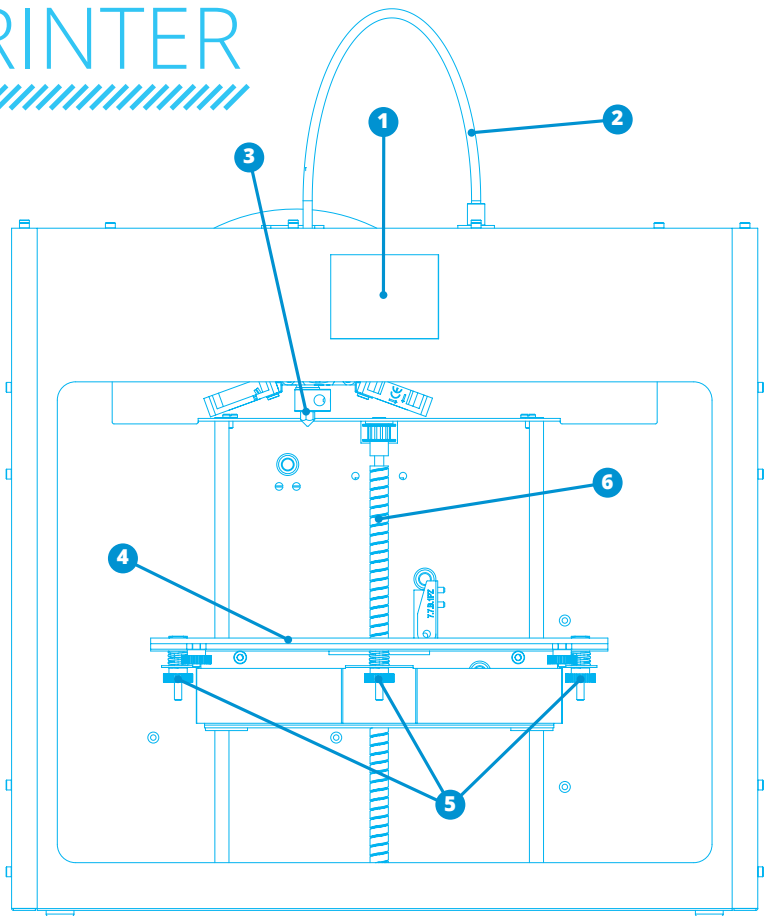
It's time to unpack additional parts. Below you can see contents of the box. First of all, check the list to make sure nothing is missing!

1. Filament guide tube holder
2. Filament guide tube
3. Filament spool holder
4. Filament spool
5. Hex wrenches (5x)
6. USB Flash storage
7. USB A-B cable
8. AC power cable
9. Spacer card

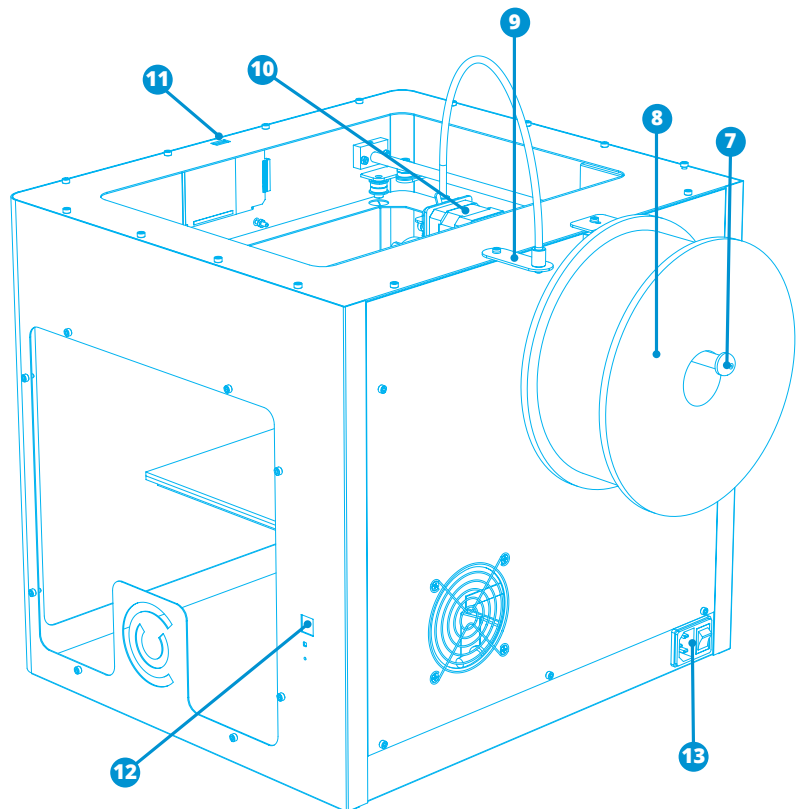


INTRODUCING THE CRAFTBOT 3D PRINTER

- 1. Touchscreen LCD display
- 2. Filament guide tube
- 3. Nozzle
- 4. Removable build plate
- 5. Leveling knobs
- 6. Z axis rod



- 7. Filament spool holder
- 8. Filament spool
- 9. Filament guide tube holder
- 10. Extruder
- 11. USB-A for flash drive
- 12. USB-B socket
- 13. AC power socket and ON/OFF switch



UNPACKING THE CRAFTBOT PRINTER



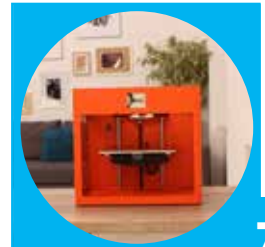
3



4



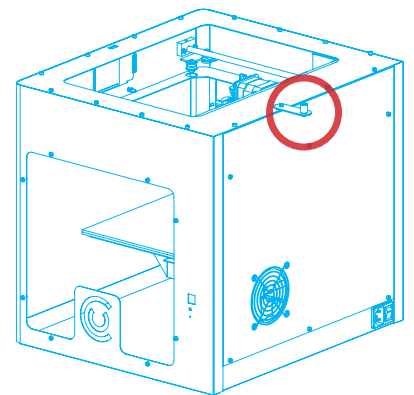
6



7

1. Place the CraftBot box on the ground on a level surface. Make sure that there is a lot of open space around you.
2. Open the box with care, not to damage the contents if using a blade.
3. Remove the protective foam insert. You will find the Quick Starter Guide located within the top protective foam insert.
4. There is a cradle inserted, which contains the accessories (including a pen drive with a copy of the CraftBot User Manual) and a spool of filament. Remove the cradle with care as it supports the extruder during shipping.
5. Now you will find the CraftBot 3D printer itself completely enclosed in a protective plastic bag. Open the plastic covering.
6. Firmly grasp the frame of the CraftBot. Consider its weight. Request physical help if needed. Make sure not to touch the extruder or the electronic panel inside the appliance! Lift it from the plastic and out of the box.
7. Place the CraftBot 3D printer on a stable and level surface with sufficient space surrounding.

ASSEMBLING THE CRAFTBOT PRINTER

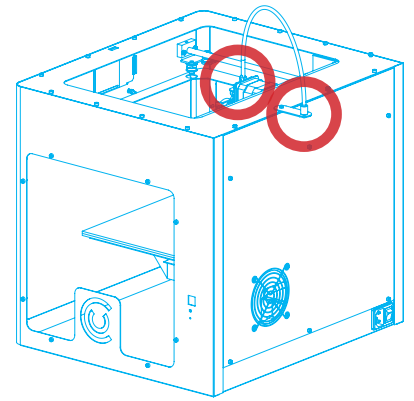


1. INSTALL THE FILAMENT GUIDE TUBE HOLDER

- Select the desired position for the tube holder. Keep in mind that the spool holder must be installed directly next to the guide tube holder.
- Locate the guide tube holder.
- Using a hex wrench, install the guide tube holder onto the top of the CraftBot.

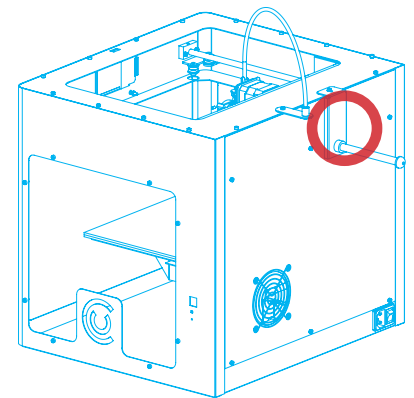
2. INSTALL THE FILAMENT GUIDE TUBE

- Locate the filament guide tube.
- Insert one end of the filament guide tube into the guide tube holder on top of the CraftBot appliance.
- Push the other end into the hole on the top of the extruder.



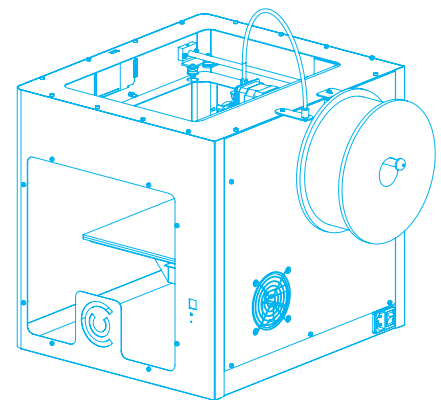
3. INSTALL THE FILAMENT SPOOL HOLDER

- Locate the filament spool holder.
- Using a hex wrench, install the filament spool holder next to the filament guide tube holder.



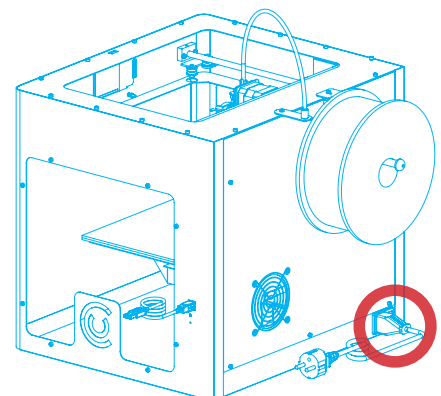
4. MOUNTING THE FILAMENT SPOOL

- Open the box containing the PLA filament and remove the filament spool from the bag.
- Fit the filament spool onto the filament spool holder so that the lead end keeps its course when the filament is fed into the guide tube holder.



5. ATTACHING THE POWER CORD

- Ensure that the power switch on the CraftBot is set to the OFF position.
- Find and then insert the AC power cord into the power input on the back of the CraftBot.



USING THE CRAFTBOT PRINTER

1. SWITCHING ON THE APPLIANCE

- Switch on CraftBot by the ON/OFF button located on the back part of the appliance.

2. SETTING THE LANGUAGE

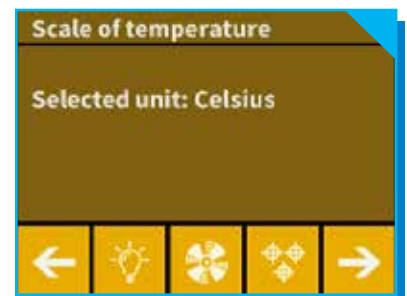
- Navigate to the right with the arrow.
- Choose LNG.
- Select the desired language.
- Confirm selection.
- Use the left arrow to get back to the main menu.



3. SELECTING THE HEAT MEASUREMENT

Temperature can be displayed in Celsius or Fahrenheit or Kelvin.

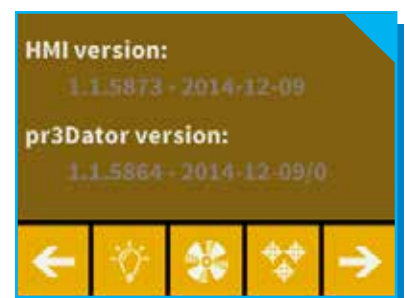
- Select „Settings” on the LCD menu.
- Navigate to the right with the arrow.
- Press the °C/°F button.
- By touching the button, the scale will change from Fahrenheit to Celsius, to Kelvin.
- Select the preferred temperature measurement.
- Use the left arrow to get back to the main menu.



4. LEVELING THE BUILD PLATE

The optimal position of the building plate is 0.3 mm from the extruder and it must be leveled evenly. CraftBot has a leveling procedure which ensures that the extruder and the heated build plate are at optimal distance. A smaller gap or uneven levelling may lead to the damaging of the kapton cover of the build plate or the extruder.

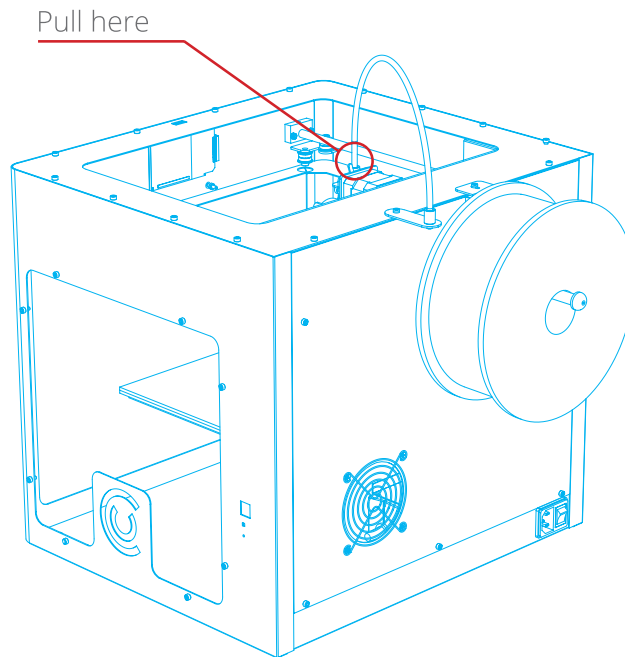
- Select „Settings” on the LCD menu.
- Select the Leveling icon – three crossed circles which represent the three knobs and screw.
- Follow the step-by-step instructions on the LCD screen:
- Turn all three black knobs holding the build plate all the way to the right until the springs in between have been compressed fully and the knobs begin to feel tight. (There is one knob at the front in the middle and two in the back left and right corners of the build plate). Do not force them!
- Locate the .3mm spacer card in the cardboard cradle among the other accessories. This card will ensure the optimal distance between the build plate and the extruder. Please keep it for future use as well.
- The preprogrammed leveling process will first set the front center point. Place the spacer card above the front center black knob on the build plate, then press the right arrow on the screen. Adjust the front center knob if needed based on the instruction on the screen.



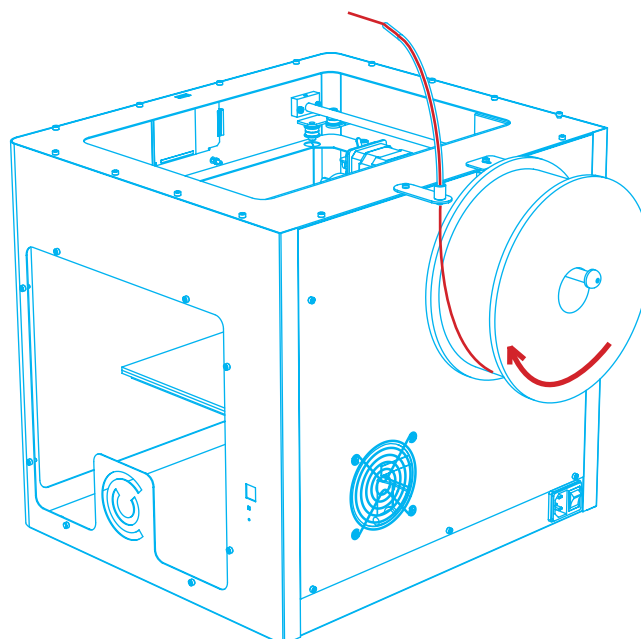
- Repeat the process with the two back knobs. First the right back, then the left back knob will be adjusted. Before switching from knob to knob, please remove and replace the leveling card as necessary.
- Process is repeated twice to make sure that all 3 knobs are in the correct position.
- As a result, the building plate should be evenly calibrated.
- You can return to the main menu by pressing the right arrow.

5. LOADING THE FILAMENT

1. Remove the filament guide tube from the insert hole on the top of the extruder.



2. Insert the filament from the spool into the end of the filament guide tube where it attaches to the filament guide tube holder. Make sure that the filament spool feeds toward the guide tube holder (from the bottom up) so that the filament keeps its course. This way you avoid any unnecessary bending of the filament. To have a clean edge, cut the end of the filament with scissors, if needed.
3. Feed the filament all the way through the guide tube until it comes out the other end.



4. Move the extruder switch on the top of the extruder to the left into the “unlocked” position. This will allow the filament to bypass the gears. Push the filament into the extruder hole as far as it will go.
5. On the LCD screen main menu select either the extruder or the thermometer icon from the extruder menu, press the thermometer button. At this point you will see a new menu indicating the “Head temp” and “Bed temp”. You can select the extruder icon and the bed icon (line with 3 wavy lines above) to commence heating. Once the extruder is fully heated, you may start the printing process.



6. When you see the filament begin to extrude, return the extruder switch to the right, into the “locked” position.
7. You can also use the “extrude” menu in the touchscreen to push for filament out of the nozzle.
8. Re-insert the filament guide tube back into the hole at the top of the extruder.

6. REMOVING THE FILAMENT FROM THE EXTRUDER

Never remove the filament from the extruder if the extruder is cold! Always preheat the extruder before removing or changing filaments. Removing the filament from a cold extruder might damage it! You don't have to remove the filament between prints.

1. Heat up the extruder (see section 10.5.)
2. Once the extruder reaches the target temperature of your filament (keeping in mind that different materials such as PLA, ABS, and PET have different temperature characteristics), press the “extrude” button briefly, and then touch the “reverse” button and hold a short while. Once the gears have begun to retract the filament you will be free to pull it out from the printer and then load a new filament.

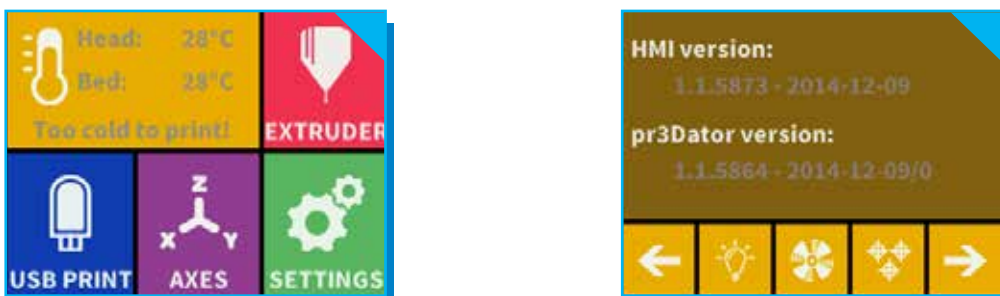
7. PRINTING OBJECTS FROM THE USB FLASH DRIVE

1. Save the printing command file created by CraftWare slicer program on a USB flash drive. The pen drive provided with CraftBot has design samples saved on it. (3D designs must be converted into a printing command file with the help of the CraftWare slicer software. For details on this go to chapter „Using CraftWare” or to www.craftunique.com/craftware)
2. Insert the USB drive into the USB slot located on the top front of the appliance (above the LCD screen).
3. Select the USB Print option from the main menu.
4. Scroll down with the arrow to select the object's file name.
5. Push the printer icon in the left corner.
6. The appliance will heat up the extruder and the build plate to the desired heat.
7. Printing will start if the required operational temperature is reached – until then you will see the current heat along with the status message: „Now printing „file name”. Heating”
8. During printing the status of the print is displayed on the LCD screen, indicating progress, based upon a percentage of the job completed.

9. Please make sure that you have enough filament for the selected project. The quantity is pre calculated by CraftWare.
10. After the object has been printed, remove it by gently pushing it aside with one hand while holding onto the printing plate with the other one.

8. NAVIGATING THE BUILD PLATE AND THE EXTRUDER

Select the AXES on the menu.



The first “back” button will, of course, return you to the main menu.

1. Extruder at „home” position

The small house icon indicates the „home” position of the extruder which is this location the front left corner of the build plate. By pushing this icon, the extruder will move into „home position”.

2. Individual position settings

You can reset the extruder and the build plate to the “home” or “zero” position.

You can either set each axis one at a time (X, Y or Z), or do all three of them at once by touching the appropriate button.

If the individual house icons are white, then this means that the motors of each highlighted icon are engaged. To disengage the motors, click on the icon in the far right bottom corner (M with an X through it), and you will see all of the house icons turn black. The motors have now been disengaged and you can freely move the extruder by hand if you wish to do so.

The directional button to the right of the “home” button can be used to move along the X, Y or Z axis using the motors. After clicking on this button you will be redirected to another display in which you will see six different arrow buttons.

Note that this option can only be used if all of the motors are already activated and the house icons are all white. If the house icons are black, then nothing will happen. In this case, after clicking on the direction button, you will see all of the arrows in the color grey. To activate the motors, return to the “home” icon and home in; the house icons will now turn white and you can go on to the direction display and move the extruder and bed as you see fit.



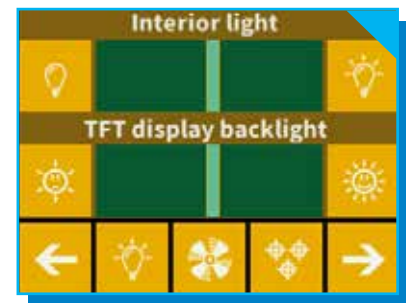
9. ADJUSTING THE LIGHTING



Select Settings (indicated by a gear) on the LCD screen.



Select the light control icon by touching the light bulb button. You will see a variance pop up on the screen: two different touchscreen sliders.



Adjusting the lighting: Move the line from the left to the right to vary the brightness of either the interior LED lighting of the CraftBot or the LCD display backlighting.

10. ACTIVATING THE FANS

Select Settings (indicated by a gear) on the LCD screen.

Select the fan control icon (indicated by a rotating fan).

Fan Control: Activate and deactivate the fans before or during printing to match your preferences.



11. USING CRAFTWARE TO CONVERT 3D DESIGN INTO PRINTING COMMANDS

To print a 3D object CraftBot needs toolpath information generated from 3D object files like .obj or .stl. Toolpath information is simply called "gcode". CraftWare software converts 3D designs into printing commands for the CraftBot 3D printer. CraftWare has been developed by CraftUnique with the aim of easing and perfecting the printing process.

1. Download the CraftWare slicer software

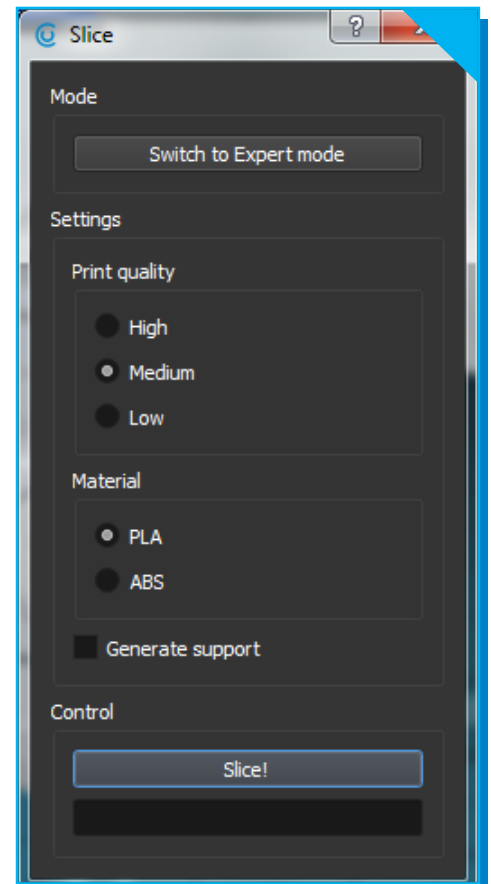
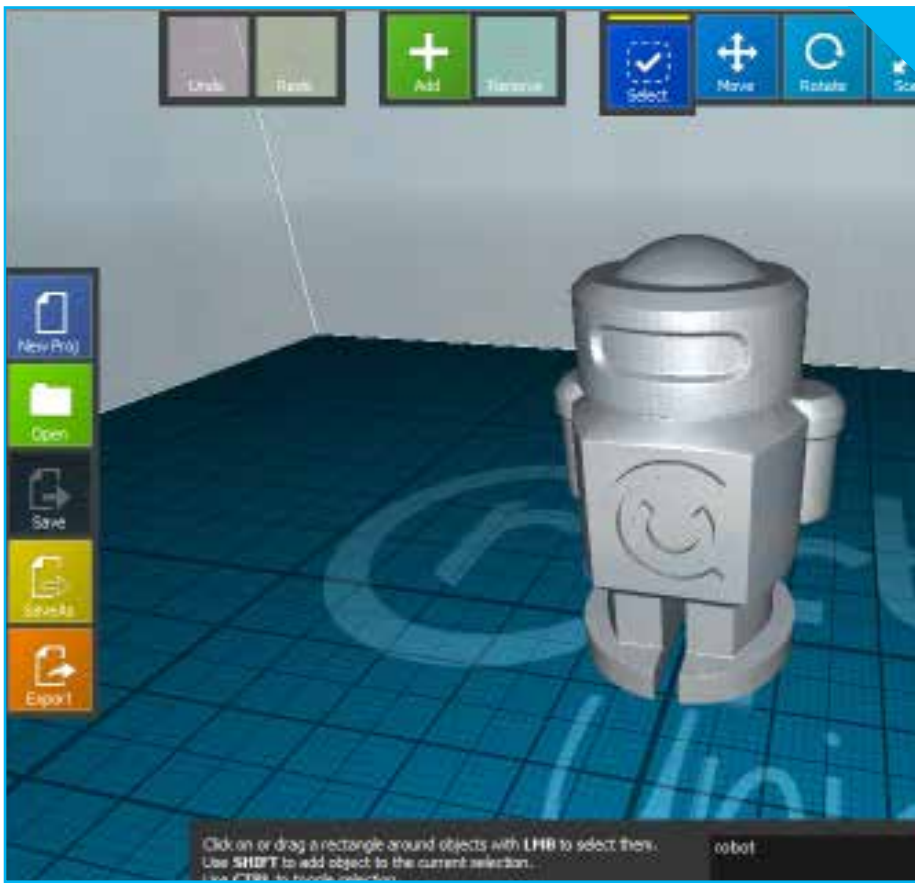
- Open a new browser session on the computer where you'd like to install CraftWare.
- Go to www.craftunique.com/craftware
- Scroll down the page to select the latest version of CraftWare.
- Select the Windows or MAC/OSX version according to your operation system.
- Download the installer.
- Open the installer and follow the directions to install the software.

2. Open the CraftWare software

Once CraftWare has been opened up, you will see a virtual build platform which represents your CraftBot's real build plate. You can add objects, .stl files onto this virtual build plate and get an impression of what the real life print will look like.

3. Importing your design objects

Click on the "Add" button located in the top row of icons. Select the 3D design plan you must print. The selected object will appear at the center of the virtual build plate.



4. Generating the toolpath information (gcode)

Click on the „SLICE“ button to the right side of the screen. A new screen pops up with options to specify the printing quality and material to be used.

5. Saving the gcode

Save the generated gcode onto a USB drive or send information directly to the CraftBot if connected via USB cable. For detailed user's instruction of CraftWare download the User's Manual from www.craftunique.com.

12. CLEANING AND MAINTENANCE

IMPORTANT! Cleaning and lubrication should only be conducted while the extruder and build plate are cold. Please allow the CraftBot 3D printer to cool down at least 30 minutes before cleaning or maintenance.

CLEANING

Clean the metal housing of the CraftBot by wiping with a damp cloth.

Cleaning the build plate

Remove the build plate by unscrewing the 2 white screws located in the front of the plate. Clean the plate with window cleaner. Wipe clean with a dry cloth or paper towel.

LUBRICATING

The CraftBot printer should be lubricated at least once after every 50 hours of use or every 6 months. Tools needed for lubrication:

- PTFE based spray lubricant or grease
 - 2 separate lint-free rags or thicker stronger paper towels
 - personal protection such as gloves and safety glasses/goggles
 - lighting to see the interior of the CraftBot correctly (lamp)
1. Move the build plate and the extruder to the „Home” position – see chapter 13 for more information.
 2. Once the extruder and bed are in the home position, turn the CraftBot printer off and unplug it from the electrical outlet.
 3. If you look beneath the build plate you will see three rods that run vertically in which the build platform moves up and down on. The two outside rods are smooth and the center rod is threaded. These three rods are known as the “Z-axis rods”.
 4. Place a folded paper towel or a lint-free rag behind the center rod. This rag is used to protect other areas of the printer from any overspray that may occur.
 5. LUBRICATE ONLY THE PARTS RECOMMENDED IN THIS MANUAL!
 6. Spray the threaded Z-axis rod at a relatively close distance to reduce overspray. Make sure the lubricant reaches the inside of every thread (if using grease, spread with hand wearing gloves).
 7. Make sure not to overlubricate, spray only the minimum required amount!
 8. Do not spray the other two rods directly! Spray the towels and wipe it onto the rods.
 9. Remove the rag from the CraftBot interior.
 10. Plug in and power up the CraftBot and move the build plate to the lowest point (“Axes” menu, home position and then go to the directional menu and press the Z down arrow until the bed reaches the lowest point).
 11. Turn the CraftBot printer off and unplug it from the electrical outlet.
 12. Place a second clean rag on top of the heated build plate to protect the components and Kapton from any overspray.
 13. Repeat the process for the top side of the Z-axis rods the same as you performed on the bottom side: protective rag behind threaded rod, spray, wipe excess lubricant on other two outside rods.
 14. Power up the CraftBot once again and raise the build plate back up to the highest position (set the X, Y and Z to the home position).
 15. Turn the CraftBot printer off and unplug it from the electrical outlet.
 16. Wipe any excess lubricant off from the bottom side of the Z-axis rods.
 17. Power up your CraftBot once again and move the build plate back to the lowest point.
 18. Turn the CraftBot printer off and unplug it from the electrical outlet.
 19. Wipe any excess lubricant off from the top side of the Z-axis rods.
 20. Power up the CraftBot once again and raise the build plate back up to the highest position.
 21. Turn the CraftBot printer off and unplug it from the electrical outlet. The motors will now disengage so that you can move the extruder freely by hand.

22. Use an oiled rag to lubricate the X and Y axis rods. Do not spray from above! Move the extruder back and forth by hand to both extremes of the axes. When the extruder moves absolutely smoothly you are finished.

13. TROUBLE SHOOTING

PREVENTING/FIXING A CLOGGED EXTRUDER

The number one inconvenience that you will run across when 3D printing is clogging of the extruder. But we have good news for you! This problem can be easily avoided by following a few simple rules of "3D printing etiquette".

First, always wait until the extruder and heated build plate are fully heated to their maximum intended print value before inserting the filament. Inserting the filament at a lower temperature is just asking for a clog.

When unloading or changing the filament: always heat up all the way first and then "extrude" for 5 seconds and immediately "reverse" aiding the filament retrieval by pulling a little bit on the filament end going into the extruder with your hand.

If the extruder is clogged, clean out the passage way of the extruder. You can use one of the small hex wrenches coming with your CraftBot to do so. Heat up to 250°C while the extruder is empty and push any excess filament out by plunging the hex wrench down into the passage way; make sure to do adequately but not in a violent way which would damage the machine, and always take precautions because the extruder is very hot!

It is especially important to clean out as much old filament leftover between using different filaments, as the different characteristics of the filaments' properties (even printing the same material in a different color) can cause clogs from inconsistencies. For example: you must heat up to 250°C to clear out any extra ABS before using PLA.

Clogging is the most common problem in every 3D printer and cannot be prevented 100%, but if you follow these simple steps you will prevent 95% of occurrences.

If you still cannot clear the passage with just this method, you may want to move onto the next method by following these next steps to actually remove the nozzle itself...

Removing the nozzle

To clean out the extruder properly by removing the nozzle you will need to remove the nozzle while heated up to 250°C using both a 7mm and 11mm wrench for the two nuts located on the nozzle itself and the channel end to the top side of the extruder. Make sure to use an oven mitt (for example) to protect yourself from burns. You will also need to disconnect the fan assembly and remove the entire piece by unfastening two bolts connecting it to the top of the extruder.

Most importantly, make sure to hold the red rubber part stationary at all times so that you do not damage the wires running into it, you can use a wrench to do so. Please make sure that none of the wires are disconnected! The removed nozzle can be unclogged with a pin or replaced with a new one.

14. FIRMWARE UPDATE

From time to time you may want to look into updating your firmware (the special software which provides control over the functions of your CraftBot). New versions are released periodically on our website, and you can find them bundled with our CraftWare slicer software here:

www.craftunique.com/craftware

For a step-by-step process on how to update to our newest firmware please check the following video:
<https://www.youtube.com/watch?v=S0k99IYU9SA>

From time-to-time you may encounter a traffic jam scenario when attempting to upload this new firmware; in some cases your CraftBot screen will go completely blank and even seem to be „non-functional“... but do not worry! This situation can be easily remedied by following these easy steps to „erase“ and „reset“ both your PCB and LCD.

Make sure that the machine is turned off and disconnected from the electrical outlet. To access the PCB first, remove the back plate of your CraftBot by unscrewing the bolts securing it to the main frame using one of the hex wrenches provided in the set which came with your CraftBot. Be sure to take notice of the wires connecting the back plate fans to the interior; you should be able to easily disconnect these by reaching inside as soon as the plate first comes loose. After the plate is off, you will see the PCB board. Before you do anything here, you will need to also prepare the LCD for erase and reset following these steps:

Take a look at your LCD display located at the middle top front of the CraftBot 3D printer. You will need to get around to the back of the LCD to erase and reset. For the best access to this part of the board you may want to remove the lid of your CraftBot by loosening the bolts using once again, your trusty hex wrench included with your CraftBot. Make sure to watch out for the LED wire connecting the lid to the rest of the CraftBot! You can disconnect this wire by reaching in and unplugging it from the back of the LCD first.

Now that the lid has been removed, you may or may not need to remove the back protective plate of your LCD panel, depending on the version of LCD that you own. The latest version of the LCD has the „erase“ and „reset“ buttons located on the side, so removal of the plate is not necessary. For everybody else, use your hex wrench to loosen the bolts and remove the plate. Be careful not to drop the bolts or damage the belts. Inside you will see the two buttons, „erase“ and „reset“.

Now you can plug in and power up your CraftBot. At this point the screen should still be blank and your CraftBot should still be unresponsive. For the LCD, push both buttons at the same time and release. For the PCB, use two pieces of filament to insert into the „erase“ and „reset“ ports at the same time (the same effect as pushing a button). Now you can turn the CraftBot off and wait at least 5 seconds before turning back on. From this point proceed to the firmware update mentioned previously and after uploading you should have a 100% operational CraftBot 3D printer!

15. APPLYING A NEW LAYER OF PROTECTIVE KAPTON SHEET TO YOUR BUILD PLATE

Build plate Kapton sheets get worn out in time, or can be damaged by the nozzle due to incorrect leveling. Reapplying a new Kapton sheet is essential to maximize print qualities if the old one has issues. To reapply a new Kapton sheet, take the build plate out of the machine and remove the old sheet by stripping it off of the aluminum plate. Clean the surface of the aluminum plate with acetone. Remove the protective sheet on the new Kapton in order to apply the sticky side, apply some window cleaning liquid onto the plate and the sticky side of the sheet to help you to correctly position the sheet. Align the Kapton to the front side of the plate (the side where screws stick out) on the corner. Once the positioning is correct, squeeze out the liquid from between the plate and the sheet with a thin but solid object, like an unused credit card. Place the protective sheet (which was removed to open up the sticky part) on the building Kapton to prevent scratches and damages during application. Start from the center of the plate and move horizontally and vertically. Once all the liquid has been squeezed out and the sheet is applied properly, put the plate somewhere to dry. Allow the sticky part to rest for a day before using.

16. GUARANTEE

For special conditions relating to product guarantee, see the „Guarantee Statement“ on a separate sheet, delivered with the product as well.

17. LIMITATION OF LIABILITY

With the exceptions included in the regulations concerning the guarantee and to the greatest extent permitted by the relating act, CRAFTUNIQUE Ltd. is not responsible for any direct, indirect, specific, stochastic or consecutive damage claims which are stem from the breaching of the terms of guarantee, respectively any other legal theory, included, but not limited to

- the loss of usability
- the loss of income, the loss of actual or expected profit (including the profit from contract), the loss of expected saving, loss of business, loss of opportunity,
- the loss of a fair name and injury to a fair name,
- the loss, injury or perishing of data,
- any indirectly or consecutively caused damage or loss, including the damage caused by the changing of equipment/installation or property, respectively
- the cost of the restoration or reproduction of data stored or used on the Product.

The restriction above does not refer to the CRAFTUNIQUE Ltd.'s legal liability for intentional, serious negligence and/or default.

Certain jurisdictions does not allow the exclusion or limitation of accidental or consecutive damage, therefore if such jurisdiction regulates the guarantee, the restrictions above does not refer to You.

APPENDIX

TECHNICAL SPECIFICATION

PRINTING

Printing technology:	Fused Filament Fabrication (FFF)
Build volume:	25x20x20 cm
Layer resolution:	100 micron (ultra) 200 micron (high) 300 micron (medium)
Position precision:	X,Y: 4 micron Z: 2 micron
Filament diameter:	1.75 mm
Nozzle diameter:	0.4 mm
Print speed:	50-200 mm/s

TEMPERATURE

Ambient temperature:	15-32 °C
Storage temperature:	0-32 °C
Operating nozzle temperature:	180-260 °C
Operating heated build plate temperature:	50-110°C

Physical dimensions

Frame dimensions:	X: 40 cm
	Y: 36 cm
	Z: 37 cm
With all parts attached:	X: 40 cm
	Y: 46 cm
	Z: 45 cm
Shipping box:	X: 46 cm
	Y: 42 cm
	Z: 43 cm
Weight:	14 kg
Shipping weight:	17 kg

SOFTWARE

Software package:	CraftWare
File types:	OBJ/STL/CWPRJ
Supports:	Windows 7 and above

Concerning any problems or enquiries, you can contact us at:
support@craftunique.com